



## TRANSPORTABLE RACK CASES

The Ultimate Protection For Your Sensitive Equipment



## OUR STORY



*SKB Owners/Founders: Dave Sanderson and Steve Kottman*

In 1977, two ambitious college students developed the first SKB case in a small Anaheim, California garage. Today, SKB is known around the world as the leading innovator and manufacturer of the finest instrument and equipment cases. Since the inception of our company, in addition to SKB branded products, leading companies have proudly supplied SKB cases for protection of their own products. SKB builds cases for a variety of markets (Industrial/Military, Sports, Music and Photo/Video) and that diversity allows us to be more creative and innovative in our case designs across the board. We have a true sense of accomplishment for more than 40 years of steady growth and for our adherence to quality standards that has made us industry leaders. We never lose sight of the fact that our customers give us the opportunity to excel and we are grateful for their trust and loyalty. We remain dedicated to the assurance that every SKB case has been manufactured with an unconditional commitment to unsurpassed quality and superior protection.

## TABLE OF CONTENTS

|                                |           |
|--------------------------------|-----------|
| <b>3RR<br/>SERIES</b>          | <b>5</b>  |
| <b>3RS<br/>SERIES</b>          | <b>8</b>  |
| <b>3SKB<br/>SERIES</b>         | <b>11</b> |
| <b>1SKB<br/>SERIES</b>         | <b>14</b> |
| <b>iSERIES<br/>FLY RACKS</b>   | <b>16</b> |
| <b>SPECIALTY<br/>RACKS</b>     | <b>17</b> |
| <b>ACCESSORIES</b>             | <b>21</b> |
| <b>RACK<br/>SPECIFICATIONS</b> | <b>22</b> |





*One of our injection molders in action*

## INJECTION MOLD

This is SKB's latest venture in our quest to provide the most innovative hard shell case products. Injection molding is an expensive investment and there is no room for error. Made with extreme pressure, even the smallest injection molded part requires a very large and heavy mold. SKB has molds that are nearly 20 tons! Many of our parts, such as our patented Trigger Latches are produced by the injection mold process. Our 3i case series includes a gasket that makes the case watertight and dust proof. Our latest injection molded cases for guitars and basses are very popular with touring musicians. These cases have dual lives as they are also used for military weapons. Never before has an ATA flight case been so lightweight, yet so advanced.



*Molds rotating during production*

## ROTO-MOLD

In 1997, SKB invested in roto-mold machinery. These molds are ideal for making larger cases and cylindrical cases. The PE roto-mold material starts as a fine powder that is measured according to the size of the case. The material is then sealed up in a multi-piece aluminum mold and fixed on a biaxial rotating wheel. The material is heated at 800° in a very large oven while constantly rotating. The powder melts and coats the inside of the mold and after cooling, the cast is disassembled and the case is removed. Roto-Molding is great for providing maximum protection and can withstand maximum impact in transport.



*Vacuum mold for keyboard case*

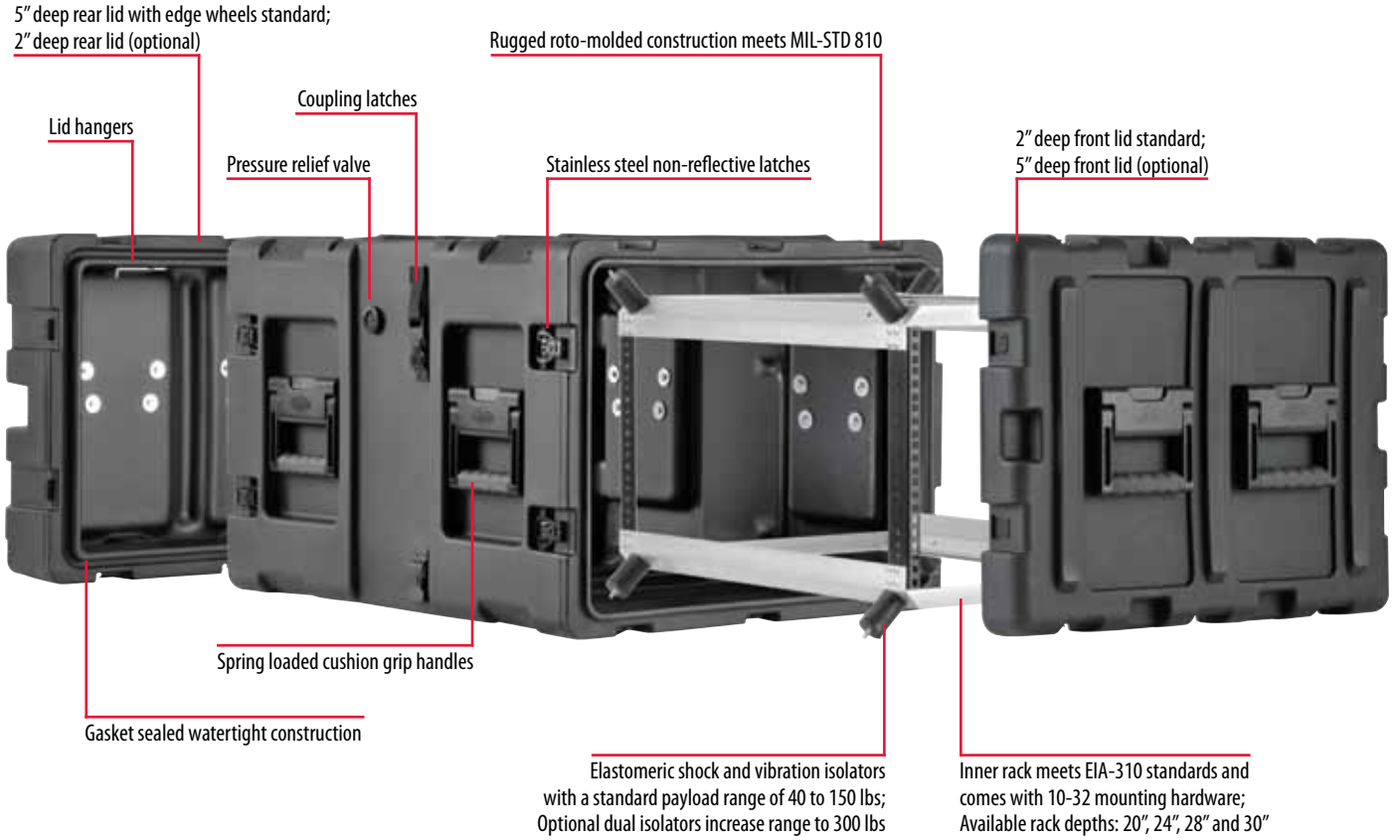
## VACUUM FORM

Also known as thermal form, this was the first and most recognized "SKB Style" case. This method is very popular for guitar or band instrument cases. In 1990, SKB developed the first vacuum formed rack case. Acrylonitrile Butadiene Styrene (ABS) or Polyethylene (PE) is formed into solid sheets of material. The sheets are heated and are vacuum formed around aluminum castings, thus taking the shape of the mold. The edges have the distinctive aluminum valance that provides rigid construction as well as a secure fit. Vacuum formed products are known for their light weight and extreme durability.

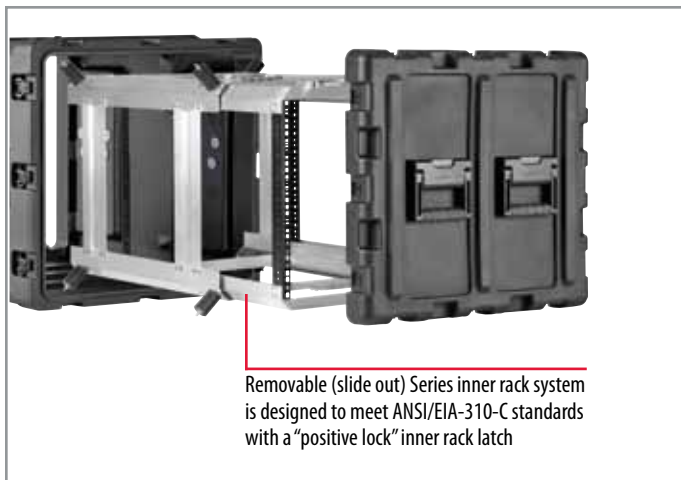
# 3RS & 3RR SHOCK RACKS



## 3RS STATIC SHOCK RACK SERIES



## 3RR REMOVABLE SERIES



## SKB CASES IN THE FIELD





## 30" REMOVABLE SHOCK RACKS

*When maximum shock absorption is needed with a sliding rack in the smallest exterior dimensions, this is the choice for this depth*

*Removable shock rack with patented "positive lock" latching system that slides open like a drawer*



### FEATURES

- Completely removable frame for access to bench integration
- Meets or exceeds MIL-STD-810G
- Standard payload range 40 to 150 lbs
- Optional extended payload range 160 to 300 lbs (3SKB-SA\*)
- Standard 19" rack width per ANSI/EIA-310-C
- Standard rack depth 30" rail to rail
- Square hole rack rails to accommodate either #10-32 US standard, or 6mm international standard cage nuts - hardware included
- 2" front lid, and 5" rear lid with edge casters (standard); other options available
- SKB's rugged roto-molded shell ensures industry leading strength and impact resistance
- Molded in stacking ribs and lugs are designed to stack with competitive manufacturers' cases
- Black powder coated stainless steel hardware (standard) which is recessed for protection
- 8 comfort grip spring loaded lift handles
- Automatic ambient pressure relief valve (standard)
- Lid hangers (standard)
- Case coupling straps (standard)

### AVAILABLE SIZES

| Model #      | Lid Depth    |               | Rack Units | Rack Height      |
|--------------|--------------|---------------|------------|------------------|
|              | Front        | Rear          |            |                  |
| 3RR-3U30-25B | 2"<br>5.1 cm | 5"<br>12.7 cm | 3U         | 5.25"<br>13.3 cm |
| 3RR-4U30-25B | 2"<br>5.1 cm | 5"<br>12.7 cm | 4U         | 7"<br>17.8 cm    |
| 3RR-5U30-25B | 2"<br>5.1 cm | 5"<br>12.7 cm | 5U         | 8.75"<br>22.2 cm |

### ACCESSORIES

**3SKB-SA Shock Absorber Kit**  
Set of 8 extra shock absorbers with a capable load range of 40 to 150 lbs (18 kg to 68 kg)  
\*Installed by factory only



**3SKB-SLP Shipping Label Plate**  
12" x 7" aluminum label (comes with installation kit)



**3SKB-SR30 30" Support Rails**  
Zinc plated steel rails to support additional weight



## 24" REMOVABLE SHOCK RACKS

*When maximum shock absorption is needed with a sliding rack in the smallest exterior dimensions, this is the choice for this depth*

*Removable shock rack with patented "positive lock" latching system that slides open like a drawer*



### FEATURES

- Completely removable frame for access to bench integration
- Meets or exceeds MIL-STD-810G
- Standard payload range 40 to 150 lbs
- Optional extended payload range 160 to 300 lbs (3SKB-SA\*)
- Standard 19" rack width per ANSI/EIA-310-C
- Standard rack depth 24" rail to rail
- Square hole rack rails to accommodate either #10-32 US standard, or 6mm international standard cage nuts - hardware included
- 2" front lid, and 5" rear lid with edge casters (standard); other options available
- SKB's rugged roto-molded shell ensures industry leading strength and impact resistance
- Molded in stacking ribs and lugs are designed to stack with competitive manufacturers' cases
- Black powder coated stainless steel hardware (standard) which is recessed for protection
- 8 comfort grip spring loaded lift handles
- Automatic ambient pressure relief valve (standard)
- Lid hangers (standard)
- Case coupling straps (standard)

### AVAILABLE SIZES

| Model #       | Lid Depth    |               | Rack Units | Rack Height       |
|---------------|--------------|---------------|------------|-------------------|
|               | Front        | Rear          |            |                   |
| 3RR-3U24-25B  | 2"<br>5.1 cm | 5"<br>12.7 cm | 3U         | 5.25"<br>13.3 cm  |
| 3RR-4U24-25B  | 2"<br>5.1 cm | 5"<br>12.7 cm | 4U         | 7"<br>17.8 cm     |
| 3RR-5U24-25B  | 2"<br>5.1 cm | 5"<br>12.7 cm | 5U         | 8.75"<br>22.2 cm  |
| 3RR-7U24-25B  | 2"<br>5.1 cm | 5"<br>12.7 cm | 7U         | 12.25"<br>31.1 cm |
| 3RR-9U24-25B  | 2"<br>5.1 cm | 5"<br>12.7 cm | 9U         | 15.75"<br>40 cm   |
| 3RR-11U24-25B | 2"<br>5.1 cm | 5"<br>12.7 cm | 11U        | 19.25"<br>48.9 cm |
| 3RR-14U24-25B | 2"<br>5.1 cm | 5"<br>12.7 cm | 14U        | 24.5"<br>62.2 cm  |

### ACCESSORIES

**3SKB-SA Shock Absorber Kit**  
Set of 8 extra shock absorbers with a capable load range of 40 to 150 lbs (18 kg to 68 kg)  
\*Installed by factory only



**3SKB-SLP Shipping Label Plate**  
12" x 7" aluminum label (comes with installation kit)



**3SKB-SR24 24" Support Rails**  
Zinc plated steel rails to support additional weight



## 20" REMOVABLE SHOCK RACKS

*When maximum shock absorption is needed with a sliding rack in the smallest exterior dimensions, this is the choice for this depth*

*Removable shock rack with patented "positive lock" latching system that slides open like a drawer*



### FEATURES

- Completely removable frame for access to bench integration
- Meets or exceeds MIL-STD-810G
- Standard payload range 40 to 150 lbs
- Optional extended payload range 160 to 300 lbs (3SKB-SA\*)
- Standard 19" rack width per ANSI/EIA-310-C
- Standard rack depth 20" rail to rail
- Square hole rack rails to accommodate either #10-32 US standard, or 6mm international standard cage nuts - hardware included
- 2" front lid, and 2" rear lid with edge casters (standard); other options available
- SKB's rugged roto-molded shell ensures industry leading strength and impact resistance
- Molded in stacking ribs and lugs are designed to stack with competitive manufacturers' cases
- Black powder coated stainless steel hardware (standard) which is recessed for protection
- 8 comfort grip spring loaded lift handles
- Automatic ambient pressure relief valve (standard)
- Lid hangers (standard)
- Case coupling straps (standard)

### AVAILABLE SIZES

| Model #       | Lid Depth    |              | Rack Units | Rack Height       |
|---------------|--------------|--------------|------------|-------------------|
|               | Front        | Rear         |            |                   |
| 3RR-3U20-22B  | 2"<br>5.1 cm | 2"<br>5.1 cm | 3U         | 5.25"<br>13.3 cm  |
| 3RR-4U20-22B  | 2"<br>5.1 cm | 2"<br>5.1 cm | 4U         | 7"<br>17.8 cm     |
| 3RR-5U20-22B  | 2"<br>5.1 cm | 2"<br>5.1 cm | 5U         | 8.75"<br>22.2 cm  |
| 3RR-6U20-22B  | 2"<br>5.1 cm | 2"<br>5.1 cm | 6U         | 10.5"<br>26.7 cm  |
| 3RR-7U20-22B  | 2"<br>5.1 cm | 2"<br>5.1 cm | 7U         | 12.25"<br>31.1 cm |
| 3RR-9U20-22B  | 2"<br>5.1 cm | 2"<br>5.1 cm | 9U         | 15.75"<br>40 cm   |
| 3RR-11U20-22B | 2"<br>5.1 cm | 2"<br>5.1 cm | 11U        | 19.25"<br>48.9 cm |
| 3RR-14U20-22B | 2"<br>5.1 cm | 2"<br>5.1 cm | 14U        | 24.5"<br>62.2 cm  |

### ACCESSORIES

**3SKB-SA Shock Absorber Kit**  
Set of 8 extra shock absorbers with a capable load range of 40 to 150 lbs (18 kg to 68 kg)  
\*Installed by factory only



**3SKB-SLP Shipping Label Plate**  
12" x 7" aluminum label (comes with installation kit)



**3SKB-SR20 20" Support Rails**  
Zinc plated steel rails to support additional weight



## 30" STATIC SHOCK RACKS

*When maximum shock isolation is needed but a sliding frame is not, this fixed rack case gives our best performance with the smallest exterior dimension foot print for this depth*

**30" deep static frame shock racks with square hole rails, and the same durability/strength as the 3RR**



### FEATURES

- Meets or exceeds MIL-STD-810G
- Standard payload range 40 to 150 lbs
- Optional extended payload range 160 to 300 lbs (3SKB-SA\*)
- Standard 19" rack width per ANSI/EIA-310-C
- Standard rack depth 30" rail to rail
- Square hole rack rails to accommodate either #10-32 US standard, or 6mm international standard cage nuts - hardware included
- 2" front lid, and 5" rear lid with edge casters (standard); other options available
- SKB's rugged roto-molded shell ensures industry leading strength and impact resistance
- Molded in stacking ribs and lugs are designed to stack with competitive manufacturers' cases
- Black powder coated stainless steel hardware (standard) which is recessed for protection
- 8 comfort grip spring loaded lift handles
- Automatic ambient pressure relief valve (standard)
- Lid hangers (standard)
- Case coupling straps (standard)
- Reduced footprint
- Low profile
- Light weight
- Lifetime warranty

### AVAILABLE SIZES

| Model #      | Lid Depth    |               | Rack Units | Rack Height      |
|--------------|--------------|---------------|------------|------------------|
|              | Front        | Rear          |            |                  |
| 3RS-3U30-25B | 2"<br>5.1 cm | 5"<br>12.7 cm | 3U         | 5.5"<br>14 cm    |
| 3RS-4U30-25B | 2"<br>5.1 cm | 5"<br>12.7 cm | 4U         | 7"<br>17.8 cm    |
| 3RS-5U30-25B | 2"<br>5.1 cm | 5"<br>12.7 cm | 5U         | 8.75"<br>22.2 cm |

### ACCESSORIES

**3SKB-SA Shock Absorber Kit**  
Set of 8 extra shock absorbers with a capable load range of 40 to 150 lbs (18 kg to 68 kg)  
\*Installed by factory only



**3SKB-SLP Shipping Label Plate**  
12" x 7" aluminum label (comes with installation kit)



**3SKB-SR30 30" Support Rails**  
Zinc plated steel rails to support additional weight





## 24" STATIC SHOCK RACKS

*When maximum shock isolation is needed but a sliding frame is not, this fixed rack case gives our best performance with the smallest exterior dimension foot print for this depth*

**24" deep static frame shock racks with square hole rails, and the same durability/strength as the 3RR**



### FEATURES

- Meets or exceeds MIL-STD-810G
- Standard payload range 40 to 150 lbs
- Optional extended payload range 160 to 300 lbs (3SKB-SA\*)
- Standard 19" rack width per ANSI/EIA-310-C
- Standard rack depth 24" rail to rail
- Square hole rack rails to accommodate either #10-32 US standard, or 6mm international standard cage nuts - hardware included
- 2" front lid, and 5" rear lid with edge casters (standard); other options available
- SKB's rugged roto-molded shell ensures industry leading strength and impact resistance
- Molded in stacking ribs and lugs are designed to stack with competitive manufacturers' cases
- Black powder coated stainless steel hardware (standard) which is recessed for protection
- 8 comfort grip spring loaded lift handles
- Automatic ambient pressure relief valve (standard)
- Lid hangers (standard)
- Case coupling straps (standard)
- Reduced footprint
- Low profile
- Light weight
- Lifetime warranty

### AVAILABLE SIZES

| Model #       | Lid Depth    |               | Rack Units | Rack Height       |
|---------------|--------------|---------------|------------|-------------------|
|               | Front        | Rear          |            |                   |
| 3RS-3U24-25B  | 2"<br>5.1 cm | 5"<br>12.7 cm | 3U         | 5.5"<br>14 cm     |
| 3RS-4U24-25B  | 2"<br>5.1 cm | 5"<br>12.7 cm | 4U         | 7"<br>17.8 cm     |
| 3RS-5U24-25B  | 2"<br>5.1 cm | 5"<br>12.7 cm | 5U         | 8.75"<br>22.2 cm  |
| 3RS-7U24-25B  | 2"<br>5.1 cm | 5"<br>12.7 cm | 7U         | 12.25"<br>31.1 cm |
| 3RS-9U24-25B  | 2"<br>5.1 cm | 5"<br>12.7 cm | 9U         | 15.75"<br>40 cm   |
| 3RS-11U24-25B | 2"<br>5.1 cm | 5"<br>12.7 cm | 11U        | 19.25"<br>48.9 cm |
| 3RS-14U24-25B | 2"<br>5.1 cm | 5"<br>12.7 cm | 14U        | 24.5"<br>62.2 cm  |

### ACCESSORIES

**3SKB-SA Shock Absorber Kit**  
Set of 8 extra shock absorbers with a capable load range of 40 to 150 lbs (18 kg to 68 kg)  
\*Installed by factory only



**3SKB-SLP Shipping Label Plate**  
12" x 7" aluminum label (comes with installation kit)



**3SKB-SR24 24" Support Rails**  
Zinc plated steel rails to support additional weight



## 20" STATIC SHOCK RACKS

*When maximum shock isolation is needed but a sliding frame is not, this fixed rack case gives our best performance with the smallest exterior dimension foot print for this depth*

*20" deep static frame shock racks with square hole rails, and the same durability/strength as the 3RR*



### FEATURES

- Meets or exceeds MIL-STD-810G
- Standard payload range 40 to 150 lbs
- Optional extended payload range 160 to 300 lbs (3SKB-SA\*)
- Standard 19" rack width per ANSI/EIA-310-C
- Standard rack depth 20" rail to rail
- Square hole rack rails to accommodate either #10-32 US standard, or 6mm international standard cage nuts - hardware included
- 2" front lid, and 2" rear lid with edge casters (standard); other options available
- SKB's rugged roto-molded shell ensures industry leading strength and impact resistance
- Molded in stacking ribs and lugs are designed to stack with competitive manufacturers' cases
- Black powder coated stainless steel hardware (standard) which is recessed for protection
- 8 comfort grip spring loaded lift handles
- Automatic ambient pressure relief valve (standard)
- Lid hangers (standard)
- Case coupling straps (standard)
- Reduced footprint
- Low profile
- Light weight
- Lifetime warranty

### AVAILABLE SIZES

| Model #       | Lid Depth    |              | Rack Units | Rack Height       |
|---------------|--------------|--------------|------------|-------------------|
|               | Front        | Rear         |            |                   |
| 3RS-3U20-22B  | 2"<br>5.1 cm | 2"<br>5.1 cm | 3U         | 5.25"<br>13.3 cm  |
| 3RS-4U20-22B  | 2"<br>5.1 cm | 2"<br>5.1 cm | 4U         | 7"<br>17.8 cm     |
| 3RS-5U20-22B  | 2"<br>5.1 cm | 2"<br>5.1 cm | 5U         | 8.75"<br>22.2 cm  |
| 3RS-6U20-22B  | 2"<br>5.1 cm | 2"<br>5.1 cm | 6U         | 10.5"<br>26.7 cm  |
| 3RS-7U20-22B  | 2"<br>5.1 cm | 2"<br>5.1 cm | 7U         | 12.25"<br>31.1 cm |
| 3RS-9U20-22B  | 2"<br>5.1 cm | 2"<br>5.1 cm | 9U         | 15.75"<br>40 cm   |
| 3RS-11U20-22B | 2"<br>5.1 cm | 2"<br>5.1 cm | 11U        | 19.25"<br>48.9 cm |
| 3RS-14U20-22B | 2"<br>5.1 cm | 2"<br>5.1 cm | 14U        | 24.5"<br>62.2 cm  |

### ACCESSORIES

**3SKB-SA Shock Absorber Kit**  
Set of 8 extra shock absorbers with a capable load range of 40 to 150 lbs (18 kg to 68 kg)  
\*Installed by factory only



**3SKB-SLP Shipping Label Plate**  
12" x 7" aluminum label (comes with installation kit)



**3SKB-SR20 20" Support Rails**  
Zinc plated steel rails to support additional weight



## 30" ROTO SHOCK RACKS

*When shock isolation is needed and overall value is of concern, this series is a great option for this depth*

*Roto-molded shock rack with threaded steel rails, aluminum interior "H" shaped frame for maximum strength and compound hinge system, 30" deep to fit deeper servers*



### FEATURES

- Front and rear threaded steel rails
- Patented compound hinged doors
- Mounting hardware included
- Shock and water resistant
- Casters
- Gasket sealed doors
- Automatic ambient pressure relief valve (standard)
- Stainless steel key-lockable field replaceable latches
- Removable 4" casters (standard)
- Stacks securely with the wheels on or off
- Recessed latches
- Adjustable elastomer shock absorbers
- Provisions to add additional shocks
- Roto-molded for strength

### AVAILABLE SIZES

| Model #      | Lid Depth       |                 | Rack Units | Rack Height      |
|--------------|-----------------|-----------------|------------|------------------|
|              | Front           | Rear            |            |                  |
| 3SKB-R904U30 | 4.5"<br>11.4 cm | 4.5"<br>11.4 cm | 4U         | 7"<br>17.8 cm    |
| 3SKB-R906U30 | 4.5"<br>11.4 cm | 4.5"<br>11.4 cm | 6U         | 10.5"<br>26.7 cm |
| 3SKB-R908U30 | 4.5"<br>11.4 cm | 4.5"<br>11.4 cm | 8U         | 14"<br>35.6 cm   |
| 3SKB-R910U30 | 4.5"<br>11.4 cm | 4.5"<br>11.4 cm | 10U        | 17.5"<br>44.5 cm |

### ACCESSORIES

**1SKB19-AC1 Rack Mount Hardware**  
Package of 12 clips and screws for mounting electronics

**3SKB-BB60 Small Accessory Pocket**  
20" x 10" x 3" pocket that attaches to case lids (comes with hardware)

**3SKB-BB61 Large Accessory Pocket**  
20" x 15.5" x 3" pocket that attaches to case lids (comes with hardware)

**3SKB-BB62 Caster Accessory Bag**  
12" x 9.5" x 3.5" accessory bag with compartments (comes with hardware)

**3SKB-HPK Heavy Payload Kit**  
Load spreaders for stability, and extra shock absorbers for shock and vibration when additional weight is required; load capacity 150 lbs to 300 lbs (fits all 3SKB 24", 28" and 30" shock racks)

**3SKB-SLP Shipping Label Plate**  
12" x 7" aluminum label (comes with installation kit)

**3SKB-SR30 30" Support Rails**  
Zinc plated steel rails to support additional weight



## 28" ROTO SHOCK RACKS

*When shock isolation is needed and overall value is of concern, this series is a great option for this depth*

*Roto-molded shock rack with threaded steel rails, aluminum interior "H" shaped frame for maximum strength, and compound hinge system, 28" deep to fit deeper servers*



### FEATURES

- Includes Adjustable Rail Conversion System (ARCS)
- Patented compound hinged doors
- Mounting hardware included
- Rear rails
- Casters
- Shock and water resistant
- Gasket sealed doors
- Automatic ambient pressure relief valve (standard)
- Stainless steel key-lockable field replaceable latches
- Removable 4" casters (standard)
- Stacks securely with the wheels on or off
- Recessed latches
- Adjustable elastomer shock absorbers
- Provisions to add additional shocks
- Roto-molded for strength

### AVAILABLE SIZES

| Model #      | Lid Depth       |                 | Rack Units | Rack Height      |
|--------------|-----------------|-----------------|------------|------------------|
|              | Front           | Rear            |            |                  |
| 3SKB-R904U28 | 4.5"<br>11.4 cm | 4.5"<br>11.4 cm | 4U         | 7"<br>17.8 cm    |
| 3SKB-R906U28 | 4.5"<br>11.4 cm | 4.5"<br>11.4 cm | 6U         | 10.5"<br>26.7 cm |
| 3SKB-R908U28 | 4.5"<br>11.4 cm | 4.5"<br>11.4 cm | 8U         | 14"<br>35.6 cm   |
| 3SKB-R910U28 | 4.5"<br>11.4 cm | 4.5"<br>11.4 cm | 10U        | 17.5"<br>44.5 cm |

### ACCESSORIES

#### 3SKB-BB60

##### Small Accessory Pocket

20" x 10" x 3" attaches to case lids (comes with hardware)

#### 3SKB-BB61

##### Large Accessory Pocket

20" x 15.5" x 3" attaches to case lids (comes with hardware)

#### 3SKB-BB62

##### Caster Accessory Bag

12" x 9.5" x 3.5" accessory bag with compartments (comes with hardware)

#### 3SKB-HPK

##### Heavy Payload Kit

Load spreaders for stability, and extra shock absorbers for shock and vibration when additional weight is required; load capacity 150 lbs to 300 lbs (fits all 3SKB 24", 28" and 30" shock racks)

#### 3SKB-SLP

##### Shipping Label Plate

12" x 7" aluminum label (comes with installation kit)

#### 3SKB-SR28

##### 28" Support Rails

Zinc plated steel rails to support additional weight



## 24" ROTO SHOCK RACKS

*When shock isolation is needed and overall value is of concern, this series is a great option for this depth*

*Roto-molded shock rack with threaded steel rails, aluminum interior "H" shaped frame for maximum strength, and compound hinge system, 24" deep to fit deeper servers*



### FEATURES

- Front and rear threaded steel rails
- Patented compound hinged doors
- Mounting hardware included
- Shock and water resistant
- Casters
- Gasket sealed doors
- Automatic ambient pressure relief valve (standard)
- Stainless steel key-lockable field replaceable latches
- Removable 4" casters (standard)
- Stacks securely with the wheels on or off
- Recessed latches
- Adjustable elastomer shock absorbers
- Provisions to add additional shocks
- Roto-molded for strength

### AVAILABLE SIZES

| Model #      | Lid Depth       |                 | Rack Units | Rack Height      |
|--------------|-----------------|-----------------|------------|------------------|
|              | Front           | Rear            |            |                  |
| 3SKB-R904U24 | 4.5"<br>11.4 cm | 4.5"<br>11.4 cm | 4U         | 7"<br>17.8 cm    |
| 3SKB-R906U24 | 4.5"<br>11.4 cm | 4.5"<br>11.4 cm | 6U         | 10.5"<br>26.7 cm |
| 3SKB-R908U24 | 4.5"<br>11.4 cm | 4.5"<br>11.4 cm | 8U         | 14"<br>35.6 cm   |
| 3SKB-R910U24 | 4.5"<br>11.4 cm | 4.5"<br>11.4 cm | 10U        | 17.5"<br>44.5 cm |
| 3SKB-R912U24 | 4.5"<br>11.4 cm | 4.5"<br>11.4 cm | 12U        | 21"<br>53.3 cm   |
| 3SKB-R914U24 | 4.5"<br>11.4 cm | 4.5"<br>11.4 cm | 14U        | 24.5"<br>62.2 cm |
| 3SKB-R916U24 | 4.5"<br>11.4 cm | 4.5"<br>11.4 cm | 16U        | 28"<br>71.1 cm   |

### ACCESSORIES

#### 1SKB19-AC1

##### Rack Mount Hardware

Package of 12 clips and screws for mounting electronics

#### 3SKB-BB60

##### Small Accessory Pocket

20" x 10" x 3" attaches to case lids (comes with hardware)

#### 3SKB-BB61

##### Large Accessory Pocket

20" x 15.5" x 3" attaches to case lids (comes with hardware)

#### 3SKB-BB62

##### Caster Accessory Bag

12" x 9.5" x 3.5" accessory bag with compartments (comes with hardware)

#### 3SKB-HPK

##### Heavy Payload Kit

Load spreaders for stability, and extra shock absorbers for shock and vibration when additional weight is required; load capacity 150 lbs to 300 lbs (fits all 3SKB 24", 28" and 30" shock racks)

#### 3SKB-SLP

##### Shipping Label Plate

12" x 7" aluminum label (comes with installation kit)

#### 3SKB-SR24

##### 24" Support Rails

Zinc plated steel rails to support additional weight

## 20" ROTO SHOCK RACKS

*When shock isolation is needed and overall value is of concern, this series is a great option for this depth*

*Roto-molded shock rack with threaded steel rails, aluminum interior "H" shaped frame for maximum strength*



### FEATURES

- Includes rear rails, front and rear lid
- Adjustable elastomer shock technology
- Precise level of shock absorption for any load
- Molded handles provide an easy and secure grasping point
- Mounting hardware included

### AVAILABLE SIZES

| Model #      | Lid Depth       |                 | Rack Units | Rack Height      |
|--------------|-----------------|-----------------|------------|------------------|
|              | Front           | Rear            |            |                  |
| 1SKB-R904U20 | 2.25"<br>5.7 cm | 2.25"<br>5.7 cm | 4U         | 7"<br>17.8 cm    |
| 1SKB-R906U20 | 2.25"<br>5.7 cm | 2.25"<br>5.7 cm | 6U         | 10.5"<br>26.7 cm |
| 1SKB-R908U20 | 3.25"<br>8.3 cm | 3.25"<br>8.3 cm | 8U         | 14"<br>35.6 cm   |
| 1SKB-R910U20 | 3.25"<br>8.3 cm | 3.25"<br>8.3 cm | 10U        | 17.5"<br>44.5 cm |
| 1SKB-R912U20 | 3.25"<br>8.3 cm | 3.25"<br>8.3 cm | 12U        | 21"<br>53.3 cm   |
| 1SKB-R914U20 | 3.25"<br>8.3 cm | 3.25"<br>8.3 cm | 14U        | 24.5"<br>62.2 cm |
| 1SKB-R916U20 | 3.25"<br>8.3 cm | 3.25"<br>8.3 cm | 16U        | 28"<br>71.1 cm   |

### ACCESSORIES

#### 1SKB-1916

##### Shockmount Roto Caster Kit

Roto-molded caster board with 3" locking wheels for stacking 20" shock racks for transportation

#### 1SKB19-AC1

##### Rack Mount Hardware

Package of 12 clips and screws for mounting electronics

#### 3SKB-BB60

##### Small Accessory Pocket

20" x 10" x 3" attaches to case lids (comes with hardware)

#### 3SKB-BB61

##### Large Accessory Pocket

20" x 15.5" x 3" attaches to case lids (comes with hardware)

#### 3SKB-BB62

##### Caster Accessory Bag

12" x 9.5" x 3.5" accessory bag with compartments (comes with hardware)

#### 3SKB-SA

##### Shock Absorber Kit

Set of 8 extra shock absorbers with a capable load range of 40 to 150 lbs (18 kg to 68 kg)

#### 3SKB-SLP

##### Shipping Label Plate

12" x 7" aluminum label (comes with installation kit)

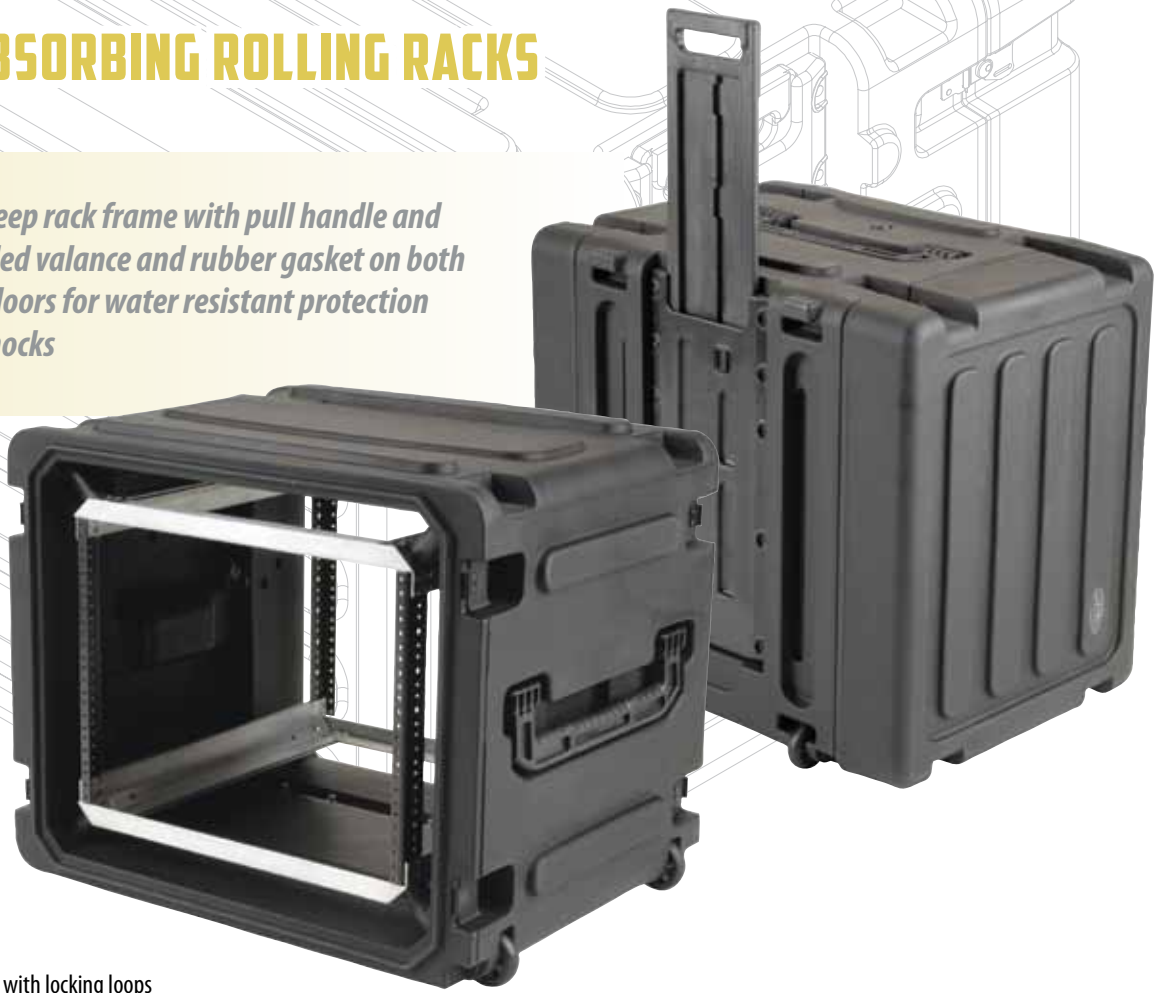
#### 3SKB-SR20

##### 20" Support Rails

Zinc plated steel rails to support additional weight

## 20" SHOCK ABSORBING ROLLING RACKS

*Roto-molded 20" deep rack frame with pull handle and wheels, and a molded valance and rubber gasket on both the front and rear doors for water resistant protection with elastomeric shocks*



### FEATURES

- Threaded steel rails
- Rear rails
- Built-in wheels
- Shock and water resistant
- Low profile pull handle
- Black powder coated twist latches with locking loops
- Mounting hardware included

### AVAILABLE SIZES

| Model #      | Lid Depth       |                 | Rack Units | Rack Height      |
|--------------|-----------------|-----------------|------------|------------------|
|              | Front           | Rear            |            |                  |
| 3SKB-R04U20W | 2.25"<br>5.7 cm | 2.25"<br>5.7 cm | 4U         | 7"<br>17.8 cm    |
| 3SKB-R06U20W | 2.25"<br>5.7 cm | 2.25"<br>5.7 cm | 6U         | 10.5"<br>26.7 cm |
| 3SKB-R08U20W | 3.25"<br>8.3 cm | 3.25"<br>8.3 cm | 8U         | 14"<br>35.6 cm   |
| 3SKB-R10U20W | 3.25"<br>8.3 cm | 3.25"<br>8.3 cm | 10U        | 17.5"<br>44.5 cm |
| 3SKB-R12U20W | 3.25"<br>8.3 cm | 3.25"<br>8.3 cm | 12U        | 21"<br>53.3 cm   |

### ACCESSORIES

#### 1SKB19-AC1

##### Rack Mount Hardware

Package of 12 clips and screws for mounting electronics

#### 3SKB-BB60

##### Small Accessory Pocket

20" x 10" x 3" attaches to case lids (comes with hardware)

#### 3SKB-BB61

##### Large Accessory Pocket

20" x 15.5" x 3" attaches to case lids (comes with hardware)

#### 3SKB-BB62

##### Caster Accessory Bag

12" x 9.5" x 3.5" accessory bag with compartments (comes with hardware)

#### 3SKB-SA

##### Shock Absorber Kit

Set of 8 extra shock absorbers with a capable load range of 40 to 150 lbs (18 kg to 68 kg)

#### 3SKB-SLP

##### Shipping Label Plate

12" x 7" aluminum label (comes with installation kit)

#### 3SKB-SR20

##### 20" Support Rails

Zinc plated steel rails to support additional weight

## REMOVABLE RACKS FOR PORTABILITY

*Housed in our military grade iSeries waterproof cases, our Fly Racks are built with high-strength aluminum alloy and carbon steel rack rails and are surrounded by high density PE foam. These cases are half the weight and size of traditional shock racks, and are less than 62 linear inches, eliminating any oversized baggage fees.*



### FEATURES

- Removable shock rack cage - hardware included
- 13" rack depth
- ABS plastic cover on top and bottom of removable frame
- Interior foam protection
- Ultra high-strength polypropylene copolymer resin
- UV, solvent, corrosion and fungus resistant (MIL-STD-810F)
- Complete gasket seal makes these cases absolutely watertight (MIL-STD-C-4150J)
- Automatic ambient pressure equalization value (MIL-STD-648C & IP67)
- Molded-in hinges
- TSA Acceptable trigger release latch system
- Rubber over-molded cushion grip handles
- Locking loops to accommodate a customer supplied lock
- Convenient wheels and push button pull handle on 3U and 4U models

### AVAILABLE SIZES

| Model #      | Rack Units | Rack Height      |
|--------------|------------|------------------|
| 3i-2217-82U  | 2U         | 3.5"<br>8.9 cm   |
| 3i-2217-103U | 3U         | 5.25"<br>13.3 cm |
| 3i-2217-124U | 4U         | 7"<br>17.8 cm    |

\* Customized case sizes available. Check with your dealer or sales representative.

### ACCESSORIES

#### 3i-HD81 iSeries HD81 Large Replacement Colored Handles

8.625" long colored handles to help differentiate between black cases; available in four colors: (BE) Blue, (RD) Red, (GN) Green and (YW) Yellow





## ROTO RACKS

*SKB roto-molded racks are 19" deep with a molded-in unbendable valance, threaded steel rails, with self tapping screws*



### FEATURES

- Roto-molded for strength and durability
- Front and rear gasket sealed covers
- Interlocking stacking ribs
- New size bar cover design
- Recessed latches
- Heavy-duty flush mount handles
- Roto-molded uni-body construction
- Rack mount hardware included for secure front or rear mounting
- Threaded steel rails
- Rear rails included
- Front and rear full size lids
- Molded-in handles
- Shock absorbing feet
- Recessed latches



### AVAILABLE SIZES

| Model #   | Lid Depth       |                 | Rack Units | Rack Height      |
|-----------|-----------------|-----------------|------------|------------------|
|           | Front           | Rear            |            |                  |
| 1SKB-R2U  | 1.25"<br>3.2 cm | 1.25"<br>3.2 cm | 2U         | 3.5"<br>8.9 cm   |
| 1SKB-R3U  | 1.25"<br>3.2 cm | 1.25"<br>3.2 cm | 3U         | 5.25"<br>13.3 cm |
| 1SKB-R4U  | 1.25"<br>3.2 cm | 1.25"<br>3.2 cm | 4U         | 7"<br>17.8 cm    |
| 1SKB-R6U  | 1.25"<br>3.2 cm | 1.25"<br>3.2 cm | 6U         | 10.5"<br>26.7 cm |
| 1SKB-R8U  | 1.25"<br>3.2 cm | 1.25"<br>3.2 cm | 8U         | 14"<br>35.6 cm   |
| 1SKB-R10U | 1.25"<br>3.2 cm | 1.25"<br>3.2 cm | 10U        | 17.5"<br>44.5 cm |
| 1SKB-R12U | 1.25"<br>3.2 cm | 1.25"<br>3.2 cm | 12U        | 21"<br>53.3 cm   |

## SHALLOW RACKS

*10.5" depth shallow racks accommodate a variety of smaller components without unplugging to close the back panel. This case is compact and stacks on all amps.*



### FEATURES

- Roto-molded for strength and durability
- Front and rear gasket sealed covers
- Interlocking stacking ribs
- Recessed latches
- Heavy-duty flush mount handles
- Shock absorbing rubber feet
- Rack mount hardware included for secure front or rear mounting



### AVAILABLE SIZES

| Model #  | Lid Depth       |                 | Rack Units | Rack Height      |
|----------|-----------------|-----------------|------------|------------------|
|          | Front           | Rear            |            |                  |
| 1SKB-R2S | 1.25"<br>3.2 cm | 1.25"<br>3.2 cm | 2U         | 3.5"<br>8.9 cm   |
| 1SKB-R3S | 1.25"<br>3.2 cm | 1.25"<br>3.2 cm | 3U         | 5.25"<br>13.3 cm |
| 1SKB-R4S | 1.25"<br>3.2 cm | 1.25"<br>3.2 cm | 4U         | 7"<br>17.8 cm    |
| 1SKB-R6S | 1.25"<br>3.2 cm | 1.25"<br>3.2 cm | 6U         | 10.5"<br>26.7 cm |

## NON-SHOCK ROLLING RACKS

*Rolling Rack models offer secure protection with the convenience of sturdy built-in wheels and a handle*



### FEATURES

- TSA latches
- Threaded steel rails
- Built-in wheels
- Rear access door
- Low profile handle
- Rack mount hardware included



### AVAILABLE SIZES

| Model #  | Lid Depth        |                  | Rack Units | Rack Height      |
|----------|------------------|------------------|------------|------------------|
|          | Front            | Rear             |            |                  |
| 1SKB-R4W | 1.125"<br>2.9 cm | 1.125"<br>2.9 cm | 4U         | 7"<br>17.8 cm    |
| 1SKB-R6W | 1.125"<br>2.9 cm | 1.125"<br>2.9 cm | 6U         | 10.5"<br>26.7 cm |
| 1SKB-R8W | 1.125"<br>2.9 cm | 1.125"<br>2.9 cm | 8U         | 14"<br>35.6 cm   |

## STUDIO FLYERS

*The perfect solution for transporting and protecting valuable gear on the road*



### FEATURES

- Rotationally molded of Linear Medium Density Polyethylene (LMDPE) for maximum impact resistance
- Vertical rack and hook-and-loop laptop surface with adjustable corner cleats
- Two stage retractable handle and easy glide wheels
- Cable pass through from laptop to rack
- Removable hinged cover
- Rack mount hardware included



### AVAILABLE SIZES

| Model #      | Top Platform                         | Rack Units | Rack Height      |
|--------------|--------------------------------------|------------|------------------|
| 1SKB19-RSF2U | 19.75" x 12"<br>50.16 cm x 30.48 cm  | 2U         | 9.25"<br>23.5 cm |
| 1SKB19-RSF4U | 21.5" x 15.5"<br>54.61 cm x 39.37 cm | 4U         | 13.5"<br>34.3 cm |

## SOFT RACKS

*These soft cases have been developed with the focus on portability and includes an adjustable shoulder strap and loop handle for easy transport*



### FEATURES

- Constructed of a wood core covered by 600 Denier Nylon
- Adjustable shoulder strap and loop handle for easy transport
- 14.8" depth (front rail to back flap)
- Padded front and back lids have heavy duty zippers
- Interior front pouch provides excellent storage of wireless mic antennae
- Exterior zippered pouch is ideal for cables and/or body packs
- Recessed threaded steel rack rails - hardware included
- Covered by SKB's One Year Soft Product Warranty



### AVAILABLE SIZES

| Model #     | Rack Units | Rack Height     |
|-------------|------------|-----------------|
| 1SKB-SC191U | 1U         | 1.75"<br>4.4 cm |
| 1SKB-SC192U | 2U         | 3.5"<br>8.9 cm  |

## COMPACT RIGS

*The perfect rack mount solution for carrying and protecting smaller pro audio gear as well as complete rolling transportation systems*



### FEATURES

- Rotationally molded of Linear Medium Density Polyethylene (LMDPE) for maximum impact resistance
- 10U, 7° angled top threaded steel rails for secure mounting of popular mixers/DJ controllers
- 2U/4U/6U threaded vertical steel rails on front
- Top and doors are injection molded of Rubber Modified Styrene (RMS)
- Rack mount hardware included
- Two removable side access plugs



### AVAILABLE SIZES

| Model #    | Top Rack | Rack Units          | Rack Height       |
|------------|----------|---------------------|-------------------|
| 1SKB-R100  | 10U      | None                | 11.25"<br>28.6 cm |
| 1SKB-R102  | 10U      | 2U                  | 14.5"<br>36.8 cm  |
| 1SKB-R104  | 10U      | 4U                  | 17.75"<br>45.1 cm |
| 1SKB-R106  | 10U      | 6U                  | 21.25"<br>54 cm   |
| 1SKB-R1906 |          | 6U Front<br>6U Back | 15"<br>38.1 cm    |

## GIG RIGS

*The SKB Gig Rig series has set the standard for mixer/rack cases for more than 15 years, and the 4th Generation Gig Rig offers even more versatility than previous generations*



### FEATURES

- Rotationally molded of Linear Medium Density Polyethylene (LMDPE) for maximum impact resistance
- 7° angled top threaded steel rails for secure mounting of popular mixers
- Threaded vertical steel rails on front and back
- Rack mount hardware included
- Unique 3-piece design uses the top cover as a pedestal when attached to the wheeled base



### AVAILABLE SIZES

| Model #      | Top Rack | Vertical Front Rack | Rack Height      |
|--------------|----------|---------------------|------------------|
| 1SKB19-R1406 | 14U      | 6U Front<br>6U Back | 26.5"<br>67.3 cm |
| 1SKB19-R1208 | 12U      | 8U Front<br>8U Back | 29.5"<br>74.9 cm |





**1SKB-1916  
Shockmount Roto Caster Kit**

Roto-molded caster board with 3" locking wheels for stacking 20" shock racks for convenient transportation



 (page 14 only)

**3SKB-HPK  
Heavy Payload Kit**

Load spreaders for stability, and extra shock absorbers for shock and vibration when additional weight is required; load capacity 150 lbs to 300 lbs (fits all 3SKB 24", 28" and 30" shock racks)





**1SKB19-AC1  
Rack Mount Hardware**

Package of 12 clips and screws for mounting electronics



**3SKB-SA  
Shock Absorber Kit**

Set of 8 extra shock absorbers with a capable load range of 40 to 150 lbs (18 kg to 68 kg)



**3i-HD81  
iSeries HD81 Large Replacement Colored Handles**

8.625" long colored handles to help differentiate between black cases; available in four colors: (BE) Blue, (RD) Red, (GN) Green and (YW) Yellow





**3SKB-SLP  
Shipping Label Plate**

12" x 7" aluminum label that can be mounted for secure labelling (comes with installation kit)



**3SKB-BB60  
Small Accessory Pocket**

Attaches to case lids: 20" x 10" x 3"



**3SKB-BB61  
Large Accessory Pocket**

Attaches to case lids: 20" x 15.5" x 3"



**3SKB-SR20  
20" Support Rails**

Zinc plated steel rails for additional support



**3SKB-SR28  
28" Support Rails**

Zinc plated steel rails for additional support



**3SKB-BB62  
Caster Accessory Bag**

12" x 9.5" x 3.5" accessory bag with compartments for storing shock rack casters (comes with hardware)



**3SKB-SR24  
24" Support Rails**

Zinc plated steel rails for additional support



**3SKB-SR30  
30" Support Rails**

Zinc plated steel rails for additional support

\* Customization options available. Check with your dealer or sales representative.

# RACK SPECIFICATIONS



## SHOCK RACK SIZE OPTIONS

| All Racks<br>Model # | Rack Height<br>U Size |       |     | Rack<br>Length/Depth |     | 19 Rack<br>Width |     | Lid I.D.<br>Front/Back |          | Length<br>O.D. |      | Width<br>O.D. |     | Height<br>O.D. |     | Product<br>Weight |      | Shock<br>Absorbers |
|----------------------|-----------------------|-------|-----|----------------------|-----|------------------|-----|------------------------|----------|----------------|------|---------------|-----|----------------|-----|-------------------|------|--------------------|
|                      | U                     | in    | mm  | in                   | mm  | in               | mm  | in                     | mm       | in             | mm   | in            | mm  | in             | mm  | lb                | kg   | (Y/N)              |
| 3RR-3U20-22B         | 3                     | 5.25  | 133 | 20                   | 508 | 18.31            | 465 | 2                      | 51       | 32.3           | 819  | 23.9          | 607 | 11             | 279 | 44.4              | 20.1 | Y                  |
| 3RS-3U20-22B         | 3                     | 5.25  | 133 | 20                   | 508 | 18.31            | 465 | 2                      | 51       | 32.3           | 819  | 23.9          | 607 | 11             | 279 | 34.5              | 15.6 | Y                  |
| 3RR-3U24-25B         | 3                     | 5.25  | 133 | 24                   | 610 | 18.31            | 465 | 2 / 5                  | 51 / 127 | 39.1           | 992  | 23.8          | 605 | 11.8           | 301 | 57                | 25.9 | Y                  |
| 3RS-3U24-25B         | 3                     | 5.5   | 140 | 24                   | 610 | 18.31            | 465 | 2 / 5                  | 51 / 127 | 39.1           | 992  | 23.8          | 605 | 11.8           | 301 | 46.6              | 21.1 | Y                  |
| 3RR-3U30-25B         | 3                     | 5.25  | 133 | 30                   | 762 | 18.31            | 465 | 2 / 5                  | 51 / 127 | 45             | 1144 | 23.8          | 605 | 11.8           | 301 | 50.4              | 22.9 | Y                  |
| 3RS-3U30-25B         | 3                     | 5.5   | 140 | 30                   | 762 | 18.31            | 465 | 2 / 5                  | 51 / 127 | 45             | 1144 | 28.8          | 732 | 11.8           | 301 | 50.4              | 22.9 | Y                  |
| 3RR-4U20-22B         | 4                     | 7     | 178 | 20                   | 508 | 18.31            | 465 | 2                      | 51       | 32.3           | 819  | 23.9          | 607 | 13.5           | 343 | TBA               | TBA  | Y                  |
| 3RS-4U20-22B         | 4                     | 7     | 178 | 20                   | 508 | 18.31            | 465 | 2                      | 51       | 32.3           | 819  | 23.9          | 607 | 13.5           | 343 | TBA               | TBA  | Y                  |
| 1SKB-R904U20         | 4                     | 7     | 178 | 20                   | 508 | 18.31            | 465 | 2.25                   | 57       | 27             | 686  | 27.7          | 702 | 15.5           | 394 | 36                | 16.3 | Y                  |
| 3SKB-R04U20W         | 4                     | 7     | 178 | 20                   | 508 | 18.31            | 465 | 2.25                   | 57       | 28.5           | 724  | 28            | 711 | 16             | 406 | 44.3              | 20.1 | Y                  |
| 3RR-4U24-25B         | 4                     | 7     | 178 | 24                   | 610 | 18.31            | 465 | 2 / 5                  | 51 / 127 | 39.1           | 992  | 23.8          | 605 | 13.5           | 344 | 66.8              | 30.3 | Y                  |
| 3RS-4U24-25B         | 4                     | 7     | 178 | 24                   | 610 | 18.31            | 465 | 2 / 5                  | 51 / 127 | 39.1           | 992  | 23.8          | 605 | 13.5           | 344 | 50.6              | 23   | Y                  |
| 3SKB-R904U24         | 4                     | 7     | 178 | 24                   | 610 | 18.31            | 465 | 4.5                    | 114      | 36             | 914  | 26.8          | 679 | 16.3           | 413 | 58                | 26.3 | Y                  |
| 3SKB-R904U28         | 4                     | 7     | 178 | 29.25                | 743 | 18.31            | 465 | 4.5                    | 114      | 42             | 1067 | 26.8          | 679 | 16.3           | 413 | 61.5              | 27.9 | Y                  |
| 3RR-4U30-25B         | 4                     | 7     | 178 | 30                   | 762 | 18.31            | 465 | 2 / 5                  | 51 / 127 | 45             | 1144 | 23.8          | 605 | 13.5           | 344 | 66.6              | 30.2 | Y                  |
| 3RS-4U30-25B         | 4                     | 7     | 178 | 30                   | 762 | 18.31            | 465 | 2 / 5                  | 51 / 127 | 45             | 1144 | 23.8          | 605 | 13.5           | 344 | 53.8              | 24.4 | Y                  |
| 3SKB-R904U30         | 4                     | 7     | 178 | 30                   | 762 | 18.31            | 465 | 4.5                    | 114      | 42             | 1067 | 26.8          | 679 | 16.3           | 413 | 60.8              | 27.6 | Y                  |
| 3RR-5U20-22B         | 5                     | 8.75  | 222 | 20                   | 508 | 18.31            | 465 | 2                      | 51       | 32.3           | 819  | 23.9          | 607 | 15.3           | 389 | TBA               | TBA  | Y                  |
| 3RS-5U20-22B         | 5                     | 8.75  | 222 | 20                   | 508 | 18.31            | 465 | 2                      | 51       | 32.3           | 819  | 23.9          | 607 | 15.3           | 389 | TBA               | TBA  | Y                  |
| 3RR-5U24-25B         | 5                     | 8.75  | 222 | 24                   | 610 | 18.31            | 465 | 2 / 5                  | 51 / 127 | 39.1           | 992  | 23.8          | 605 | 15.3           | 390 | 66                | 29.9 | Y                  |
| 3RS-5U24-25B         | 5                     | 8.75  | 222 | 24                   | 610 | 18.31            | 465 | 2 / 5                  | 51 / 127 | 39.1           | 992  | 23.8          | 605 | 15.3           | 390 | 50.2              | 22.8 | Y                  |
| 3RR-5U30-25B         | 5                     | 8.75  | 222 | 30                   | 762 | 18.31            | 465 | 2 / 5                  | 51 / 127 | 45             | 1144 | 23.8          | 605 | 15.3           | 390 | 68.6              | 31.1 | Y                  |
| 3RS-5U30-25B         | 5                     | 8.75  | 222 | 30                   | 762 | 18.31            | 465 | 2 / 5                  | 51 / 127 | 45             | 1144 | 23.8          | 605 | 15.3           | 390 | 55.8              | 25.3 | Y                  |
| 3RR-6U20-22B         | 6                     | 10.5  | 267 | 20                   | 508 | 18.31            | 465 | 2                      | 51       | 32.3           | 819  | 23.9          | 607 | 17.1           | 433 | TBA               | TBA  | Y                  |
| 3RS-6U20-22B         | 6                     | 10.5  | 267 | 20                   | 508 | 18.31            | 465 | 2                      | 51       | 32.3           | 819  | 23.9          | 607 | 17.1           | 433 | TBA               | TBA  | Y                  |
| 1SKB-R906U20         | 6                     | 10.5  | 267 | 20                   | 508 | 18.31            | 465 | 2.25                   | 57       | 27             | 686  | 27.8          | 705 | 18.9           | 479 | 43.3              | 19.6 | Y                  |
| 3SKB-R06U20W         | 6                     | 10.5  | 267 | 20                   | 508 | 18.31            | 465 | 2.25                   | 57       | 28.5           | 724  | 28            | 711 | 19.5           | 495 | 50.7              | 23   | Y                  |
| 3SKB-R906U24         | 6                     | 10.5  | 267 | 24                   | 610 | 18.31            | 465 | 4.5                    | 114      | 36             | 914  | 26.8          | 679 | 20             | 507 | 66.6              | 30.2 | Y                  |
| 3SKB-R906U28         | 6                     | 10.5  | 267 | 29.25                | 743 | 18.31            | 465 | 4.5                    | 114      | 42             | 1067 | 26.8          | 679 | 19.5           | 495 | 67.8              | 30.8 | Y                  |
| 3SKB-R906U30         | 6                     | 10.5  | 267 | 30                   | 762 | 18.31            | 465 | 4.5                    | 114      | 42             | 1067 | 26.8          | 679 | 19.5           | 495 | 66.8              | 30.3 | Y                  |
| 3RR-7U20-22B         | 7                     | 12.25 | 311 | 20                   | 508 | 18.31            | 465 | 2                      | 51       | 32.3           | 819  | 23.9          | 607 | 18.8           | 478 | TBA               | TBA  | Y                  |
| 3RS-7U20-22B         | 7                     | 12.25 | 311 | 20                   | 508 | 18.31            | 465 | 2                      | 51       | 32.3           | 819  | 23.9          | 607 | 18.8           | 478 | TBA               | TBA  | Y                  |
| 3RR-7U24-25B         | 7                     | 12.25 | 311 | 24                   | 610 | 18.31            | 465 | 2 / 5                  | 51 / 127 | 39.1           | 992  | 23.8          | 605 | 18.8           | 479 | 68.6              | 31.1 | Y                  |
| 3RS-7U24-25B         | 7                     | 12.25 | 311 | 24                   | 610 | 18.31            | 465 | 2 / 5                  | 51 / 127 | 39.1           | 992  | 23.8          | 605 | 18.8           | 479 | 55.8              | 25.3 | Y                  |
| 1SKB-R908U20         | 8                     | 14    | 356 | 20                   | 508 | 18.31            | 465 | 2.25                   | 57       | 29             | 737  | 27.8          | 705 | 22.3           | 565 | 46.5              | 21.1 | Y                  |
| 3SKB-R08U20W         | 8                     | 14    | 356 | 20                   | 508 | 18.31            | 465 | 2.25                   | 57       | 30.5           | 775  | 28            | 711 | 23             | 584 | 56                | 25.4 | Y                  |
| 3SKB-R908U24         | 8                     | 14    | 356 | 24                   | 610 | 18.31            | 465 | 4.5                    | 114      | 36             | 914  | 26.8          | 679 | 23.3           | 591 | 74.7              | 33.9 | Y                  |
| 3SKB-R908U28         | 8                     | 14    | 356 | 29.25                | 743 | 18.31            | 465 | 4.5                    | 114      | 42             | 1067 | 26.8          | 679 | 23.5           | 597 | 78.2              | 35.4 | Y                  |
| 3SKB-R908U30         | 8                     | 14    | 356 | 30                   | 762 | 18.31            | 465 | 4.5                    | 114      | 42             | 1067 | 26.8          | 679 | 23.5           | 597 | 76.8              | 34.8 | Y                  |
| 3RR-9U20-22B         | 9                     | 15.75 | 400 | 20                   | 508 | 18.31            | 465 | 2                      | 51       | 32.3           | 819  | 23.9          | 607 | 22.3           | 566 | TBA               | TBA  | Y                  |
| 3RS-9U20-22B         | 9                     | 15.75 | 400 | 20                   | 508 | 18.31            | 465 | 2                      | 51       | 32.3           | 819  | 23.9          | 607 | 22.3           | 566 | TBA               | TBA  | Y                  |
| 3RR-9U24-25B         | 9                     | 15.75 | 400 | 24                   | 610 | 18.31            | 465 | 2 / 5                  | 51 / 127 | 39.1           | 992  | 23.8          | 605 | 22.3           | 567 | 77                | 34.9 | Y                  |
| 3RS-9U24-25B         | 9                     | 15.75 | 400 | 24                   | 610 | 18.31            | 465 | 2 / 5                  | 51 / 127 | 39.1           | 992  | 23.8          | 605 | 22.3           | 567 | 65.4              | 29.6 | Y                  |
| 1SKB-R910U20         | 10                    | 17.5  | 445 | 20                   | 508 | 18.31            | 465 | 3.25                   | 83       | 29             | 737  | 27.8          | 705 | 26.1           | 664 | 54.4              | 24.7 | Y                  |
| 3SKB-R10U20W         | 10                    | 17.5  | 445 | 20                   | 508 | 18.31            | 465 | 2.25                   | 57       | 30.5           | 775  | 28            | 711 | 26.5           | 673 | 59                | 26.8 | Y                  |
| 3SKB-R910U24         | 10                    | 17.5  | 445 | 24                   | 610 | 18.31            | 465 | 4.5                    | 114      | 36             | 914  | 26.8          | 679 | 26.8           | 679 | 79.9              | 36.2 | Y                  |
| 3SKB-R910U28         | 10                    | 17.5  | 445 | 29.25                | 743 | 18.31            | 465 | 4.5                    | 114      | 42             | 1067 | 26.8          | 679 | 27.3           | 692 | 81.3              | 36.9 | Y                  |

# RACK SPECIFICATIONS



| All Racks     | Rack Height U Size |       |     | Rack Length/Depth |     | 19 Rack Width |     | Lid I.D. Front/Back |          | Length O.D. |      | Width O.D. |     | Height O.D. |     | Product Weight |      | Shock Absorbers |
|---------------|--------------------|-------|-----|-------------------|-----|---------------|-----|---------------------|----------|-------------|------|------------|-----|-------------|-----|----------------|------|-----------------|
|               | Model #            | U     | in  | mm                | in  | mm            | in  | mm                  | in       | mm          | in   | mm         | in  | mm          | in  | mm             | lb   | kg              |
| 3SKB-R910U30  | 10                 | 17.5  | 445 | 30                | 762 | 18.31         | 465 | 4.5                 | 114      | 42          | 1067 | 26.8       | 679 | 27.3        | 692 | 79.9           | 36.2 | Y               |
| 3RR-11U20-22B | 11                 | 19.25 | 489 | 20                | 508 | 18.31         | 465 | 2                   | 50.8     | 32.3        | 819  | 23.9       | 607 | 25.8        | 655 | TBA            | TBA  | Y               |
| 3RS-11U20-22B | 11                 | 19.25 | 489 | 20                | 508 | 18.31         | 465 | 2                   | 50.8     | 32.3        | 819  | 23.9       | 607 | 25.8        | 655 | TBA            | TBA  | Y               |
| 3RR-11U24-25B | 11                 | 19.25 | 489 | 24                | 610 | 18.31         | 465 | 2 / 5               | 51 / 127 | 39.1        | 992  | 23.8       | 605 | 25.8        | 656 | 83.2           | 37.7 | Y               |
| 3RS-11U24-25B | 11                 | 19.25 | 489 | 24                | 610 | 18.31         | 465 | 2 / 5               | 51 / 127 | 39.1        | 992  | 23.8       | 605 | 25.8        | 656 | 70             | 31.8 | Y               |
| 1SKB-R912U20  | 12                 | 21    | 533 | 20                | 508 | 18.31         | 465 | 3.25                | 83       | 29          | 737  | 27.8       | 705 | 26.9        | 683 | 57             | 25.8 | Y               |
| 3SKB-R12U20W  | 12                 | 21    | 533 | 20                | 508 | 18.31         | 465 | 2.25                | 57       | 30.5        | 775  | 28         | 711 | 30          | 762 | 68             | 30.8 | Y               |
| 3SKB-R912U24  | 12                 | 21    | 533 | 24                | 610 | 18.31         | 465 | 4.5                 | 114      | 36          | 914  | 26.8       | 679 | 30.5        | 773 | 83.3           | 37.8 | Y               |
| 3RR-14U20-22B | 14                 | 24.5  | 622 | 20                | 508 | 18.31         | 465 | 2                   | 50.8     | 32.3        | 819  | 23.9       | 607 | 30.9        | 785 | TBA            | TBA  | Y               |
| 3RS-14U20-22B | 14                 | 24.5  | 622 | 20                | 508 | 18.31         | 465 | 2                   | 50.8     | 32.3        | 819  | 23.9       | 607 | 30.9        | 785 | TBA            | TBA  | Y               |
| 1SKB-R914U20  | 14                 | 24.5  | 622 | 20                | 508 | 18.31         | 465 | 3.25                | 83       | 29          | 737  | 27.9       | 708 | 32.4        | 822 | 68.6           | 31.1 | Y               |
| 3RR-14U24-25B | 14                 | 24.5  | 622 | 24                | 610 | 18.31         | 465 | 2 / 5               | 51 / 127 | 39.1        | 992  | 23.8       | 605 | 30.9        | 786 | 94.8           | 43   | Y               |
| 3RS-14U24-25B | 14                 | 24.5  | 622 | 24                | 610 | 18.31         | 465 | 2 / 5               | 51 / 127 | 39.1        | 992  | 23.8       | 605 | 30.9        | 786 | 71             | 32.2 | Y               |
| 3SKB-R914U24  | 14                 | 24.5  | 622 | 24                | 610 | 18.31         | 465 | 4.5                 | 114      | 36          | 914  | 26.8       | 679 | 34          | 862 | 94.2           | 42.7 | Y               |
| 1SKB-R916U20  | 16                 | 28    | 711 | 20                | 508 | 18.31         | 465 | 3.25                | 83       | 29          | 737  | 27.3       | 692 | 35.9        | 911 | 76             | 34.5 | Y               |
| 3SKB-R916U24  | 16                 | 28    | 711 | 24                | 610 | 18.31         | 465 | 4.5                 | 114      | 36          | 914  | 26.8       | 679 | 38          | 965 | 102.6          | 46.5 | Y               |

## NON-SHOCK RACK SIZE OPTIONS \* Two rack options available: Bottom rack dimensions listed first

| All Racks     | Rack Height U Size |             |           | Rack Length/Depth |          | 19 Rack Width |     | Lid I.D. Front/Back |     | Length O.D. |     | Width O.D. |     | Height O.D. |     | Product Weight |      | Shock Absorbers |
|---------------|--------------------|-------------|-----------|-------------------|----------|---------------|-----|---------------------|-----|-------------|-----|------------|-----|-------------|-----|----------------|------|-----------------|
|               | Model #            | U           | in        | mm                | in       | mm            | in  | mm                  | in  | mm          | in  | mm         | in  | mm          | in  | mm             | lb   | kg              |
| 1SKB-SC191U   | 1                  | 1.75        | 44        | 1                 | 25       | 18.31         | 465 | N/A                 | N/A | 17.5        | 445 | 20.8       | 527 | 3.8         | 95  | 6.6            | 3    | N               |
| 1SKB-SC192U   | 2                  | 3.5         | 89        | 2                 | 51       | 18.31         | 465 | N/A                 | N/A | 17.5        | 445 | 20.8       | 527 | 6.5         | 165 | 9              | 4.1  | N               |
| 1SKB-R2S      | 2                  | 3.5         | 89        | 10.7              | 272      | 18.31         | 465 | 1.25                | 32  | 16.2        | 411 | 22.4       | 569 | 6.1         | 156 | 9.4            | 4.3  | N               |
| 1SKB19-RSF2U  | 2                  | 3.5         | 89        | 11                | 279      | 18.31         | 465 | N/A                 | N/A | 14          | 356 | 22         | 559 | 10          | 254 | 16.8           | 7.6  | N               |
| 3I-2217-82U   | 2                  | 3.5         | 89        | 13                | 330      | 18.31         | 465 | N/A                 | N/A | 24.3        | 618 | 19.5       | 495 | 8.9         | 225 | 19.8           | 9    | N               |
| 1SKB-R2U      | 2                  | 3.5         | 89        | 17.6              | 447      | 18.31         | 465 | 1.25                | 32  | 24          | 610 | 22.4       | 569 | 5.9         | 149 | 10.8           | 4.9  | N               |
| 1SKB-R3S      | 3                  | 5.25        | 133       | 10.7              | 272      | 18.31         | 465 | 1.25                | 32  | 16.2        | 411 | 22.4       | 569 | 7.9         | 200 | 10.5           | 4.8  | N               |
| 3I-2217-103U  | 3                  | 5.25        | 133       | 13                | 330      | 18.31         | 465 | N/A                 | N/A | 24.5        | 622 | 19.4       | 492 | 12.2        | 310 | 27             | 12.2 | N               |
| 1SKB-R3U      | 3                  | 5.25        | 133       | 17.6              | 447      | 18.31         | 465 | 1.25                | 32  | 24          | 610 | 22.4       | 569 | 7.6         | 194 | 12.3           | 5.6  | N               |
| 1SKB-R4S      | 4                  | 7           | 178       | 6                 | 152      | 18.31         | 465 | 1.25                | 32  | 16.2        | 411 | 22.4       | 569 | 9.1         | 231 | 11.8           | 5.4  | N               |
| 3I-2217-124U  | 4                  | 7           | 178       | 12.75             | 324      | 18.31         | 465 | N/A                 | N/A | 24.3        | 618 | 19.5       | 495 | 14.4        | 365 | 28.8           | 13.1 | N               |
| 1SKB19-RSF4U  | 4                  | 7           | 178       | 13.5              | 343      | 18.31         | 465 | N/A                 | N/A | 18.8        | 476 | 24.5       | 622 | 13.5        | 343 | 23.5           | 10.7 | N               |
| 1SKB-R4U      | 4                  | 7           | 178       | 17.6              | 447      | 18.31         | 465 | 1.25                | 32  | 24          | 610 | 22.4       | 569 | 9.4         | 238 | 14.7           | 6.7  | N               |
| 1SKB-R4W      | 4                  | 7           | 178       | 18.75             | 476      | 18.31         | 465 | 1.13                | 29  | 24.5        | 622 | 24         | 610 | 10.9        | 276 | 19             | 8.6  | N               |
| 1SKB-R6S      | 6                  | 10.5        | 267       | 10.7              | 272      | 18.31         | 465 | 1.25                | 32  | 16.2        | 411 | 22.4       | 569 | 13.1        | 333 | 15.9           | 7.2  | N               |
| 1SKB-R6U      | 6                  | 10.5        | 267       | 17.6              | 447      | 18.31         | 465 | 1.25                | 32  | 24          | 610 | 22.4       | 569 | 13          | 330 | 18.4           | 8.3  | N               |
| 1SKB-R6W      | 6                  | 10.5        | 267       | 18.75             | 476      | 18.31         | 465 | 1.13                | 29  | 24.5        | 622 | 24         | 610 | 14.3        | 362 | 25.2           | 11.4 | N               |
| 1SKB-R8U      | 8                  | 14          | 356       | 17.6              | 447      | 18.31         | 465 | 1.25                | 32  | 24          | 610 | 22.4       | 569 | 16.7        | 424 | 22.3           | 10.1 | N               |
| 1SKB-R8W      | 8                  | 14          | 356       | 18.75             | 476      | 18.31         | 465 | 1.13                | 29  | 24.5        | 622 | 24         | 610 | 18.1        | 460 | 30.5           | 13.8 | N               |
| 1SKB-R100     | 10                 | 17.5        | 445       | 5.25              | 133      | 18.31         | 465 | N/A                 | N/A | 23.3        | 591 | 22.8       | 578 | 11.8        | 298 | 16.2           | 7.3  | N               |
| 1SKB-R10U     | 10                 | 17.5        | 445       | 17.6              | 447      | 18.31         | 465 | 1.25                | 32  | 24          | 610 | 22.4       | 569 | 20.3        | 514 | 23.8           | 10.8 | N               |
| 1SKB-R12U     | 12                 | 21          | 533       | 17.6              | 447      | 18.31         | 465 | 1.25                | 32  | 24          | 610 | 22.4       | 569 | 23.6        | 600 | 29.2           | 13.2 | N               |
| *1SKB-R102    | 10 / 2             | 17.5 / 3.5  | 445 / 89  | 19.5 / 3.5        | 495 / 89 | 18.31         | 465 | N/A                 | N/A | 23.1        | 587 | 23.1       | 587 | 14.1        | 359 | 20             | 9.1  | N               |
| *1SKB-R104    | 10 / 4             | 17.5 / 7    | 445 / 178 | 19.5 / 3.5        | 495 / 89 | 18.32         | 465 | N/A                 | N/A | 23.9        | 607 | 23.3       | 591 | 17.8        | 451 | 22.7           | 10.3 | N               |
| *1SKB-R106    | 10 / 6             | 17.5 / 10.5 | 445 / 267 | 19.5 / 3.5        | 495 / 89 | 18.33         | 466 | N/A                 | N/A | 23.6        | 600 | 23         | 584 | 21.4        | 544 | 25.4           | 11.5 | N               |
| *1SKB19-R1208 | 12 / 8             | 21 / 14     | 533 / 356 | 19.5 / 3.5        | 495 / 89 | 18.34         | 466 | N/A                 | N/A | 27.5        | 699 | 23.5       | 597 | 29.5        | 749 | 68.6           | 31.1 | N               |
| *1SKB19-R1406 | 14 / 6             | 24.5 / 10.5 | 622 / 267 | 19.5 / 3.5        | 495 / 89 | 18.35         | 466 | N/A                 | N/A | 32.3        | 819 | 24         | 610 | 26.1        | 664 | 69.5           | 31.5 | N               |



## TRANSPORTABLE RACK CASES

The Ultimate Protection For Your Sensitive Equipment

### SKB WARRANTY

#### LIFETIME WARRANTY

SKB injection molded, roto-molded, and ATA-rated hard case products are fully warranted against defects in materials and craftsmanship for the lifetime of the case to the original owner. SKB will repair or replace any product found to be defective. SKB DOES NOT REPLACE CASES FOR DAMAGED HARDWARE. All locks, handles, and wheels have been made to be field replaceable, take just minutes to install, and will be supplied to you at no charge via US mail. Please contact our customer service department at (800) 783-0087 with any parts requests.

#### SOFT PRODUCT WARRANTY

SKB Soft Products are fully warranted to the original owner against defects in materials and craftsmanship for one (1) year from purchase. Any defects in workmanship will be covered by SKB. Damages due to accident, improper care, negligence or normal wear, where SKB is not at fault, are not covered.

### CORPORATE & MANUFACTURING HEADQUARTERS

434 W. Levers Place  
Orange CA 92867  
ph: (714) 637-1252  
[www.skbcases.com](http://www.skbcases.com)

### SKB EUROPE

Hamelendijk 2  
5541 RA Reusel  
Netherlands  
ph: +31 (0) 497 339 836  
[www.skbcases.com](http://www.skbcases.com)  
[www.skbcases.com](http://www.skbcases.com)

